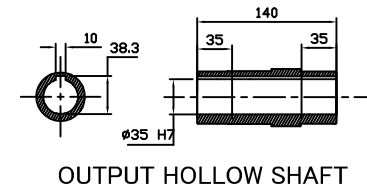
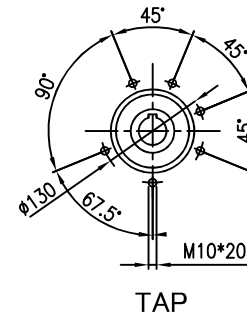
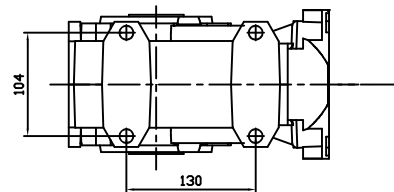
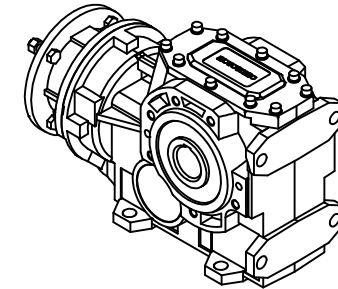
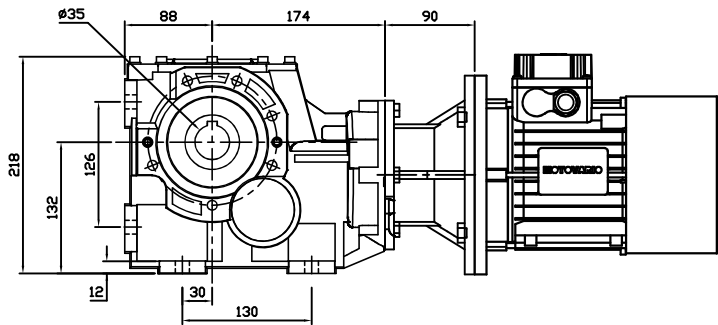
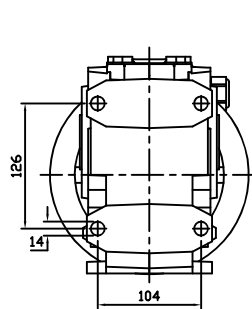


REDUCER SPEC	
MODEL	B063
SERVICE FACTOR	2.7
RATIO	56.93
OUTPUT [rpm]	30.7
OUTPUT TORQUE [Nm]	210
WEIGHT [kg]	21.6

MOTOR SPEC	
MODEL	TPA/80B5 220/380V
POWER [kW]	0.75
POLE, PHASE	4P, 3PHASE
INPUT [rpm]	1750
BRAKE	NO
WEIGHT [kg]	13.2



PROJECT		MOTOVARIO						
DRAWN	SEO Y.S	DATE		REV	A	SCALE	1:1	
CHECKED	KIM J.S	DATE		UNIT	MM	PAGE	-	
APPROVED	LEE J.Y	DATE		